

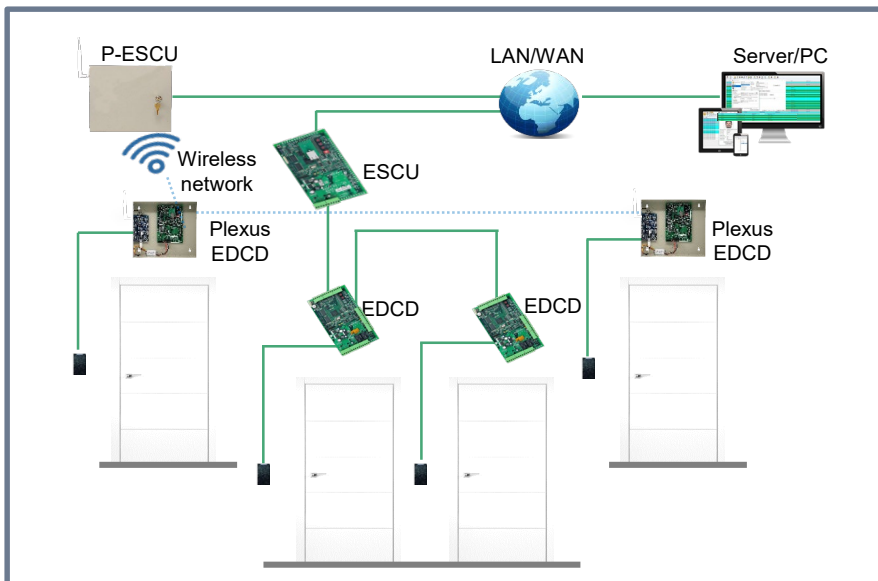
MILLENNIUM PLEXUS



Wireless access control for the most flexible security installs

Millennium Plexus mesh network wireless system provides flexible wireless access control for buildings with wiring limitations, structures with high or plastered ceilings, and sites with a preference for fully secured wireless connectivity such as college dorms. Eliminate lengthy wire runs, reduce installation labor and cost, connect multiple buildings and get stable access control security anywhere you need it. Compared with traditional Wi-Fi door handles with limited operational features and battery replacement concerns, Plexus gives you the option of a full-featured access control solution with the benefit of wireless connectivity.

Enjoy the flexibility and scalability provided by Plexus for creating completely wireless sites or by expanding existing wired sites with the new wireless controllers.



Millennium Plexus mixed architecture topology



Save Cost

Eliminates the need for the door to door installation of RS-485 wiring resulting in an approx. 30% cost savings.



Enjoy Stability

Mesh connectivity technology presents a more stable network than popular Wi-Fi enabled locks

Power stability eliminates the need to replace batteries unlike wireless door handles



Embrace Flexibility

Flexible to accommodate an all wireless Plexus door system, or a mixed wireless/wired architecture



www.mgiaccess.com/plexus

Flexible wireless systems for any site configuration

Features

- ▶ Wireless connection using mesh network technology
- ▶ Built in redundancies- if one controller goes down the others stay connected
- ▶ Millennium Plexus wireless controllers eliminate the need for lengthy wire runs and complicated installs
- ▶ Unlike traditional wireless handles, Mesh controllers provide a full featured access control system
- ▶ Pre-licensed for up to 5 concurrent users
- ▶ Thin client access/web-interface
- ▶ Uses the Bluetooth 5 wireless technology providing more stability than the regular Wi-Fi connectivity of traditional wireless handles
- ▶ Comes with the full-featured version of Millennium Ultra software* (for full Ultra features see www.mgiaccess.com/ultra)
- ▶ Mobile friendly web access
- ▶ Up to 150 ft range line of sight
- ▶ Allows for multiple pattern connectivity creating systems that encompass both the wired and the wireless systems
- ▶ Controllers can be wired directly to a local power source
- ▶ Backward compatible with all previous versions of the Millennium access control systems hardware and software

Part #350-100001

Plexus Mesh DCD controller

Part #350-100002

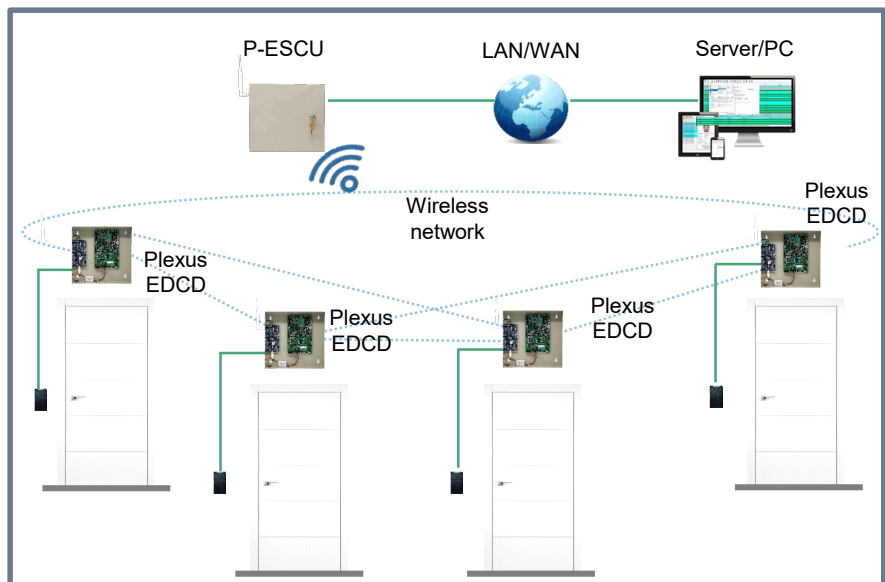
Plexus Mesh Provisioner/Site controller for 10 doors

Part #350-100004

Plexus Wireless Repeater/Range Extender

Product Terminology

- **Plexus Enhanced Site Controller Unit – P-ESCU.** Supervisory controller with mesh network wireless and ethernet interfaces, with 7 alarm inputs and 1 reader port. Intended for use with Plexus Enhanced Door Control Devices for wireless sites and with wired Door Control Devices for mixed architecture sites.
- **Plexus Enhanced Door Controller Unit – P-EDCD.** Single reader wireless enabled door controller intended for use with the Plexus Enhanced Site Control Unit. Comes with a 12V power adapter.
- **Wireless Repeater.** Network signal extenders to increase the mesh network range. These re-broadcast the wireless signals received from one Plexus controller unit to another, to increase signal strength.



Millennium Plexus wireless system topology



+1 866-455-5222



sales@mgiaccess.com



16 Tech Circle Natick, MA 01760